



Secure, Encrypted Calls Between Land Lines and a Mobile Workforce

Organizations are struggling to provide the seamless connectivity they get from their office phone systems to an increasingly mobile workforce. Moreover, businesses need to control and significantly reduce the substantial costs of mobile communications.

Smart businesses are also looking for communication solutions that allow them to talk to their customers on their mobile devices, wherever they are, safely, securely, and at a reasonable cost.

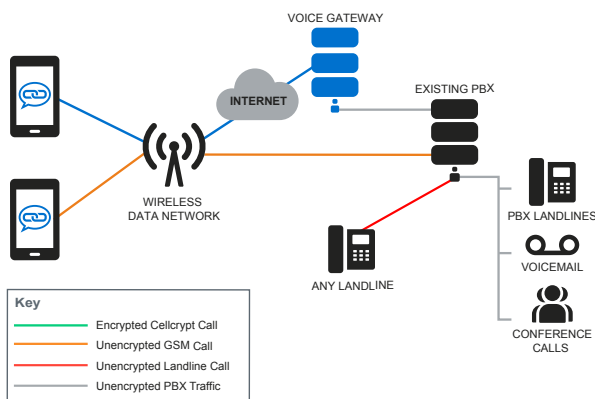
Making the switch to VoIP as a solution to this problem is attractive, but how can this be achieved securely, with an existing PBX infrastructure?

Create a Secure VoIP to PBX Connection

The Cellcrypt Secure Voice Gateway provides an encrypted VoIP channel that integrates seamlessly with any existing digital PBX infrastructure.

This allows organizations to extend the benefits of their existing PBX features, including voicemail and conference calling, to mobile users with the reduced costs of VoIP and the strong encryption provided by Cellcrypt.

- Cellcrypt Voice Gateway integrates with SIP-based and legacy PBXs and telephony gateways
- Cellcrypt secured mobile phones can call other Cellcrypt secured mobile phones
- Cellcrypt secured PBX landlines can call other Cellcrypt secured PBX landlines
- In combination with your PBX, the Voice Gateway can route calls to and from office phones or calls out to phones on the PSTN
- Highly flexible through use of DTMF to leverage PBX features



Securely connect to the company PBX to reach offices, customers and employees



Access PBX infrastructure, including conferencing and voicemail, securely from anywhere in the world



Dramatically reduce calling costs by eliminating international roaming and long-distance charges



Protection from data interception using military-grade encryption on VoIP calls between mobile devices and secure PBXs

Secure, Cost-Effective Access To Your Existing Phone System

The Cellcrypt Voice Gateway interfaces to a wide range of digital PBXs so that you can leverage and maximize the benefits of your existing infrastructure without the need for a costly rip/replace strategy and by utilizing Cellcrypt's secure Voice over IP (VoIP) network, international and long-distance call costs are eliminated.

When configured with a PBX, the Cellcrypt Voice Gateway allows any Cellcrypt user to make calls to any non-Cellcrypt-secured phone connected to the PBX.

The call segment between the Cellcrypt user and the Cellcrypt Voice Gateway is encrypted, providing privacy and security when making calls from potentially untrusted and international locations to trusted or domestic areas.

Find out more: www.cellcrypt.com

Operating Requirements

1. Linux (Debian / Ubuntu)
2. Extensible using standard channel drivers and 3rd party analogue and digital telephony cards
3. Internet connectivity to Cellcrypt Private Switch and connectivity to PBX